

Short Form SMD LED Displays

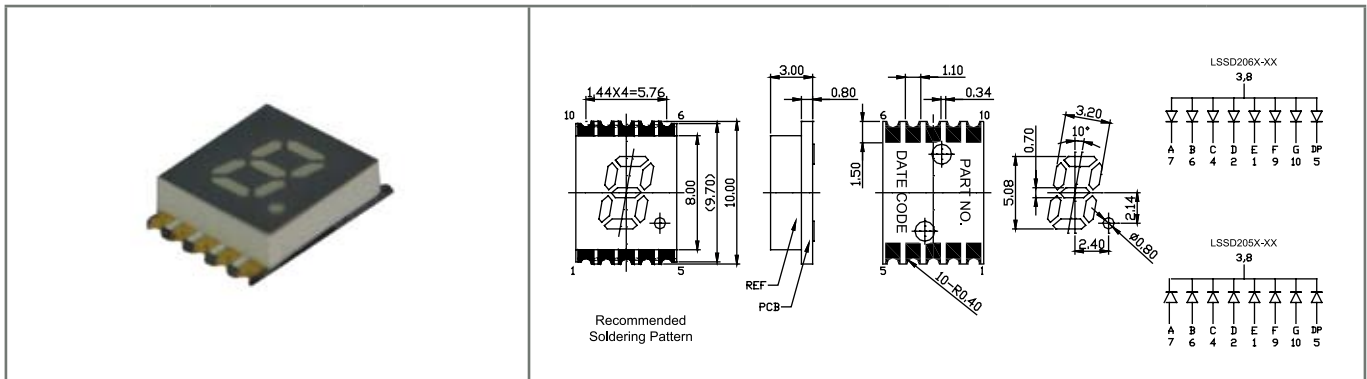
**OPTO ELECTRONIC
COMPONENTS**



Greener
and brighter

SINGLE SMD DISPLAY

0.2"

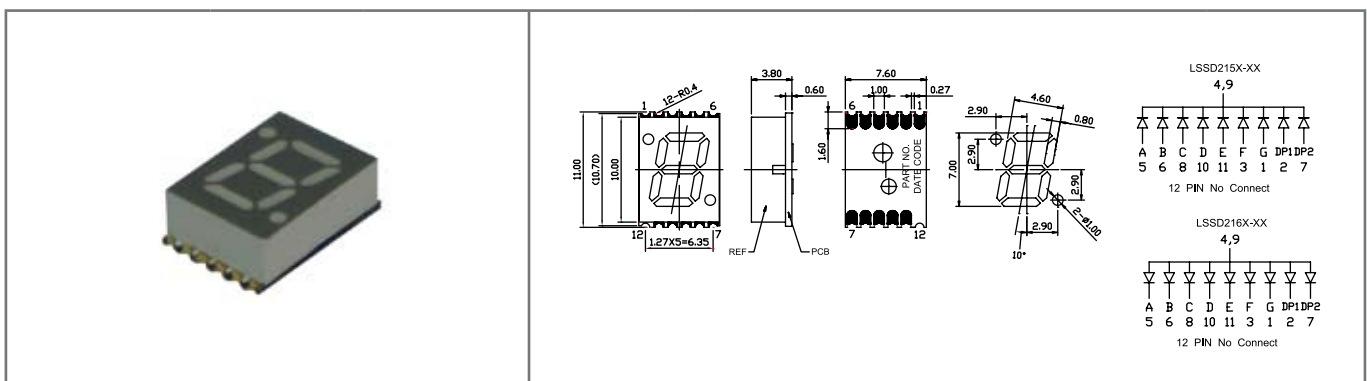


Part No	Chip			Vf(V)@20mA	lv(mcd)@20mA	CC or CA
	Material	Emitted color	λD(nm)	Typ	Typ	
LSSD205A-XX	AlGaInP	Green	570	2.1	6	CC
LSSD206A-XX						CA
LSSD2056F-XX	AlGaInP	Red	625	2.0	12	CC
LSSD2066F-XX						CA
LSSD2053V-XX	AlGaInP	Yellow	590	2.0	12	CC
LSSD2063V-XX						CA
LSSD205DGM-XX	InGaN	True Green	525	3.2	50	CC
LSSD206DGM-XX						CA
LSSD205DBK-XX	InGaN	Blue	470	3.2	20	CC
LSSD206DBK-XX						CA

SINGLE SMD DISPLAY

0.28"

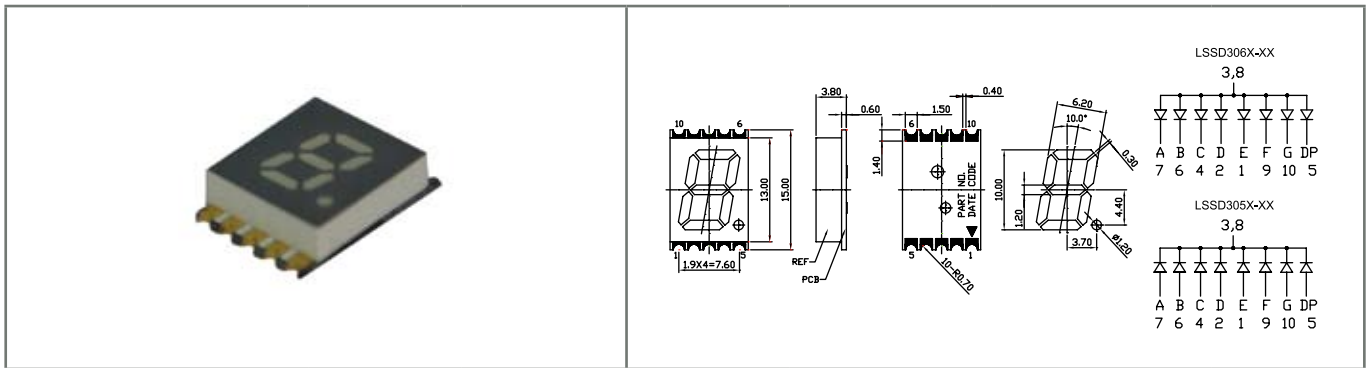
SMD DISPLAY



Part No	Chip			Vf(V)@20mA	lv(mcd)@20mA	CC or CA
	Material	Emitted color	λD(nm)	Typ	Typ	
LSSD215A-XX	AlGaInP	Green	570	2.1	6	CC
LSSD216A-XX						CA
LSSD2156F-XX	AlGaInP	Red	625	2.0	10	CC
LSSD2166F-XX						CA
LSSD2153V-XX	AlGaInP	Yellow	590	2.0	10	CC
LSSD2163V-XX						CA
LSSD215DGM-XX	InGaN	True Green	525	3.2	50	CC
LSSD216DGM-XX						CA
LSSD215DBK-XX	InGaN	Blue	470	3.2	20	CC
LSSD216DBK-XX						CA

SINGLE SMD DISPLAY

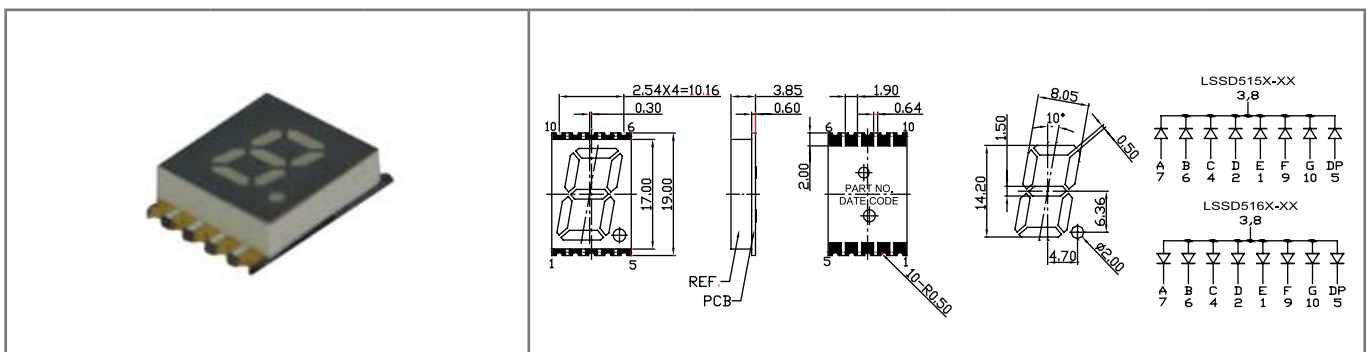
0.39"



Part No	Chip			Vf(V)@20mA	Iv(mcd)@20mA	CC or CA
	Material	Emitted color	λD(nm)	Typ	Typ	
LSSD305A-XX	AlGaInP	Green	570	2.1	12	CC
LSSD306A-XX						CA
LSSD3056F-XX	AlGaInP	Red	625	2.0	30	CC
LSSD3066F-XX						CA
LSSD3053V-XX	AlGaInP	Yellow	590	2.0	30	CC
LSSD3063V-XX						CA
LSSD305DGM-XX	InGaN	True Green	525	3.2	130	CC
LSSD306DGM-XX						CA
LSSD305DBK-XX	InGaN	Blue	470	3.2	40	CC
LSSD306DBK-XX						CA
LSSD305WK-XX	InGaN	White	-	3.2	100	CC
LSSD306WK-XX						CA

SINGLE SMD DISPLAY

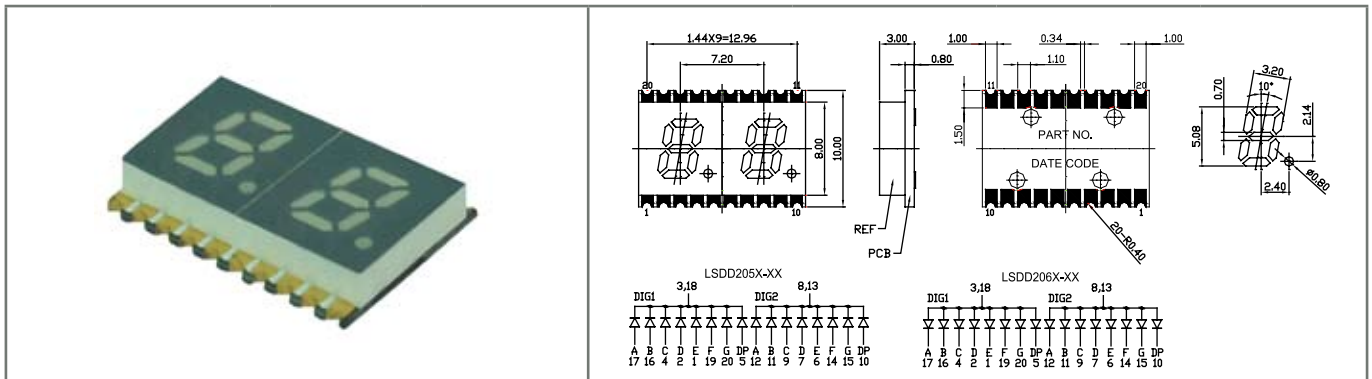
0.56"



Part No	Chip			Vf(V)@20mA	Iv(mcd)@20mA	CC or CA
	Material	Emitted color	λD(nm)	Typ	Typ	
LSSD515A-XX	AlGaInP	Green	570	2.1	10	CC
LSSD516A-XX						CA
LSSD5156F-XX	AlGaInP	Red	625	2.0	25	CC
LSSD5166F-XX						CA
LSSD5153V-XX	AlGaInP	Yellow	590	2.0	25	CC
LSSD5163V-XX						CA
LSSD515DGM-XX	InGaN	True Green	525	3.2	90	CC
LSSD516DGM-XX						CA
LSSD515DBK-XX	InGaN	Blue	470	3.2	30	CC
LSSD516DBK-XX						CA
LSSD515WK-XX	InGaN	White	-	3.2	65	CC
LSSD516WK-XX						CA

DOUBLE SMD DISPLAY

0.2"

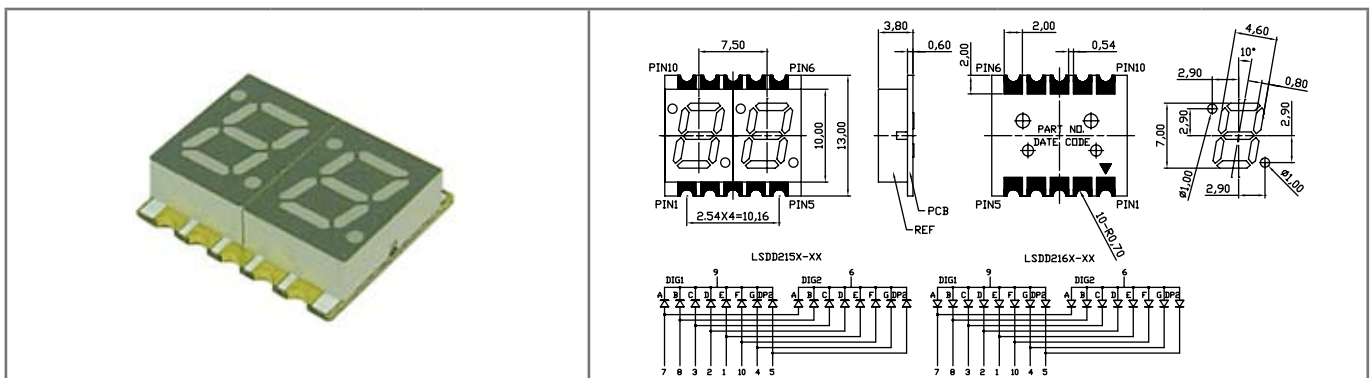


Part No	Chip			Vf(V)@20mA	lv(mcd)@20mA	CC or CA
	Material	Emitted color	λD(nm)	Typ	Typ	
LSDD205A-XX	AlGaInP	Green	570	2.1	6	CC
LSDD206A-XX						CA
LSDD2056F-XX	AlGaInP	Red	625	2.0	12	CC
LSDD2066F-XX						CA
LSDD2053V-XX	AlGaInP	Yellow	590	2.0	12	CC
LSDD2063V-XX						CA
LSDD205DGM-XX	InGaN	True Green	525	3.2	50	CC
LSDD206DGM-XX						CA
LSDD205DBK-XX	InGaN	Blue	470	3.2	20	CC
LSDD206DBK-XX						CA

DOUBLE SMD DISPLAY

0.28"

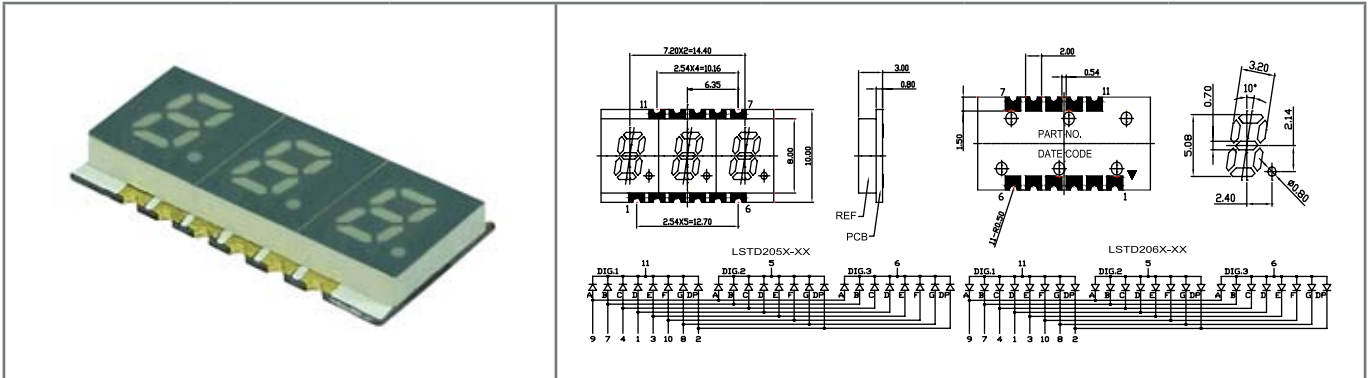
SMD DISPLAY



Part No	Chip			Vf(V)@20mA	lv(mcd)@20mA	CC or CA
	Material	Emitted color	λD(nm)	Typ	Typ	
LSDD215A-XX	AlGaInP	Green	570	2.1	6	CC
LSDD216A-XX						CA
LSDD2156F-XX	AlGaInP	Red	625	2.0	10	CC
LSDD2166F-XX						CA
LSDD2153V-XX	AlGaInP	Yellow	590	2.0	10	CC
LSDD2163V-XX						CA
LSDD215DGM-XX	InGaN	True Green	525	3.2	50	CC
LSDD216DGM-XX						CA
LSDD215DBK-XX	InGaN	Blue	470	3.2	20	CC
LSDD216DBK-XX						CA

TRIPLE SMD DISPLAY

0.2"

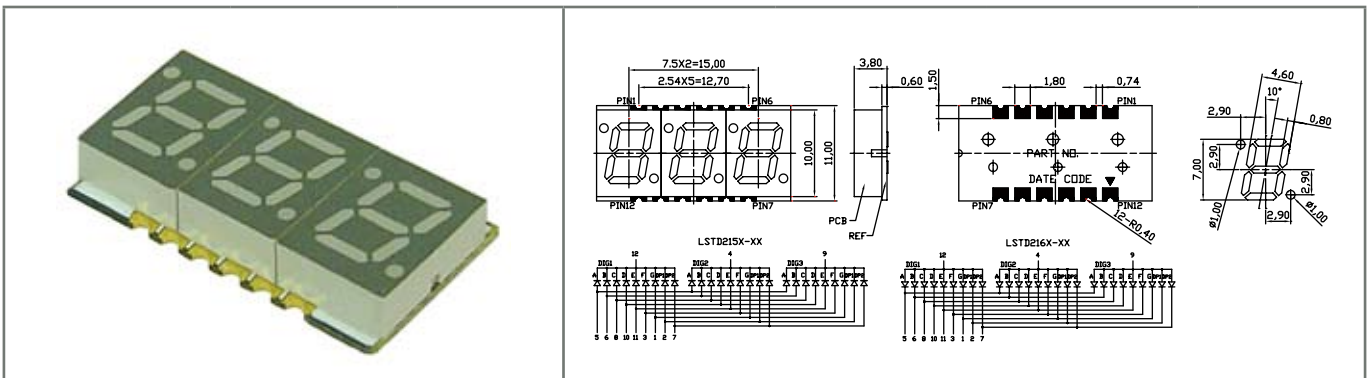


Part No	Chip			Vf(V)@20mA	lv(mcd)@20mA	CC or CA
	Material	Emitted color	λD(nm)	Typ	Typ	
LSTD205A-XX	AlGaInP	Green	570	2.1	6	CC
LSTD206A-XX						CA
LSTD2056F-XX	AlGaInP	Red	625	2.0	12	CC
LSTD2066F-XX						CA
LSTD2053V-XX	AlGaInP	Yellow	590	2.0	12	CC
LSTD2063V-XX						CA
LSTD205DGM-XX	InGaN	True Green	525	3.2	50	CC
LSTD206DGM-XX						CA
LSTD205DBK-XX	InGaN	Blue	470	3.2	20	CC
LSTD206DBK-XX						CA

TRIPLE SMD DISPLAY

0.28"

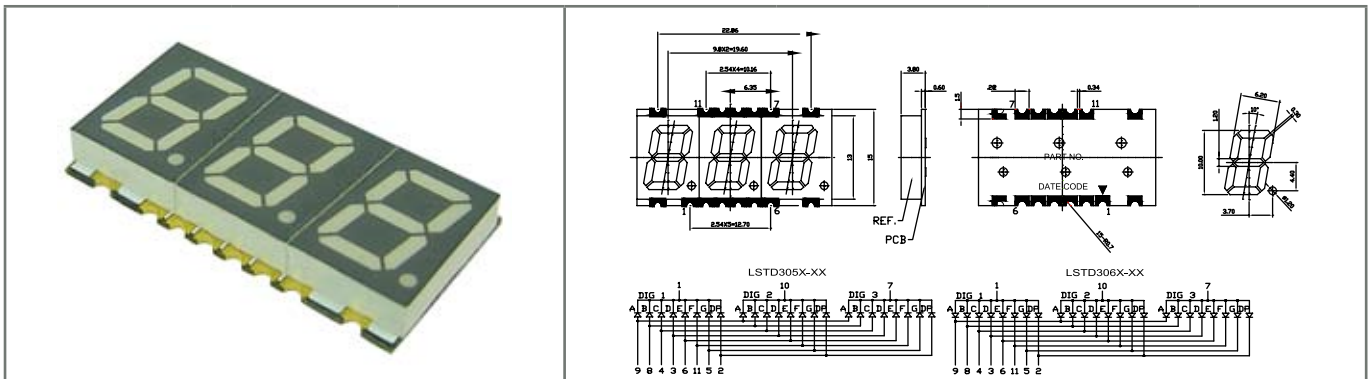
SMD DISPLAY



Part No	Chip			Vf(V)@20mA	lv(mcd)@20mA	CC or CA
	Material	Emitted color	λD(nm)	Typ	Typ	
LSTD215A-XX	AlGaInP	Green	570	2.1	6	CC
LSTD216A-XX						CA
LSTD2156F-XX	AlGaInP	Red	625	2.0	10	CC
LSTD2166F-XX						CA
LSTD2153V-XX	AlGaInP	Yellow	590	2.0	10	CC
LSTD2163V-XX						CA
LSTD215DGM-XX	InGaN	True Green	525	3.2	50	CC
LSTD216DGM-XX						CA
LSTD215DBK-XX	InGaN	Blue	470	3.2	20	CC
LSTD216DBK-XX						CA

TRIPLE SMD DISPLAY

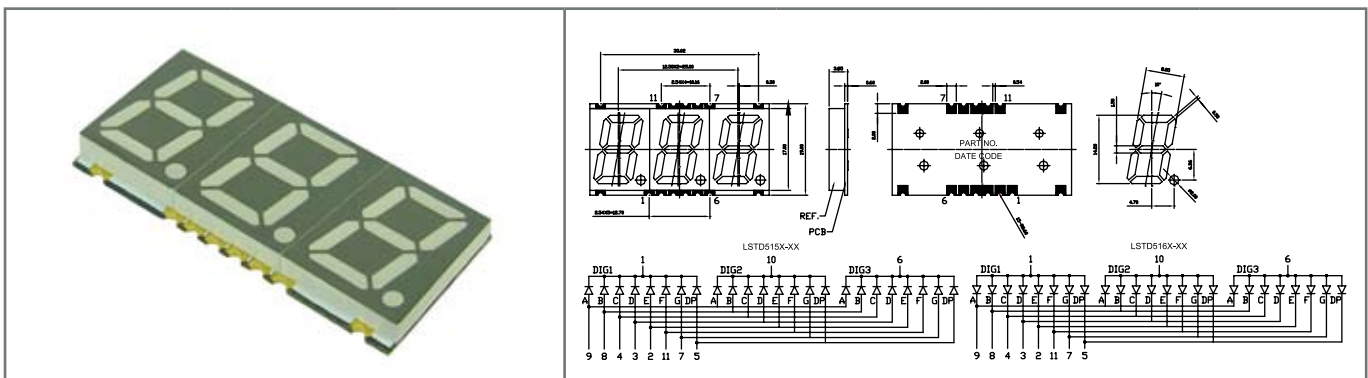
0.39"



Part No	Chip			Vf(V)@20mA	Iv(mcd)@20mA	CC or CA
	Material	Emitted color	λD(nm)	Typ	Typ	
LSTD305A-XX	AlGaInP	Green	570	2.1	12	CC
LSTD306A-XX						CA
LSTD3056F-XX	AlGaInP	Red	625	2.0	30	CC
LSTD3066F-XX						CA
LSTD3053V-XX	AlGaInP	Yellow	590	2.0	30	CC
LSTD3063V-XX						CA
LSTD305DGM-XX	InGaN	True Green	525	3.2	130	CC
LSTD306DGM-XX						CA
LSTD305DBK-XX	InGaN	Blue	470	3.2	40	CC
LSTD306DBK-XX						CA
LSTD305WK-XX	InGaN	White	-	3.2	100	CC
LSTD306WK-XX						CA

TRIPLE SMD DISPLAY

0.56"

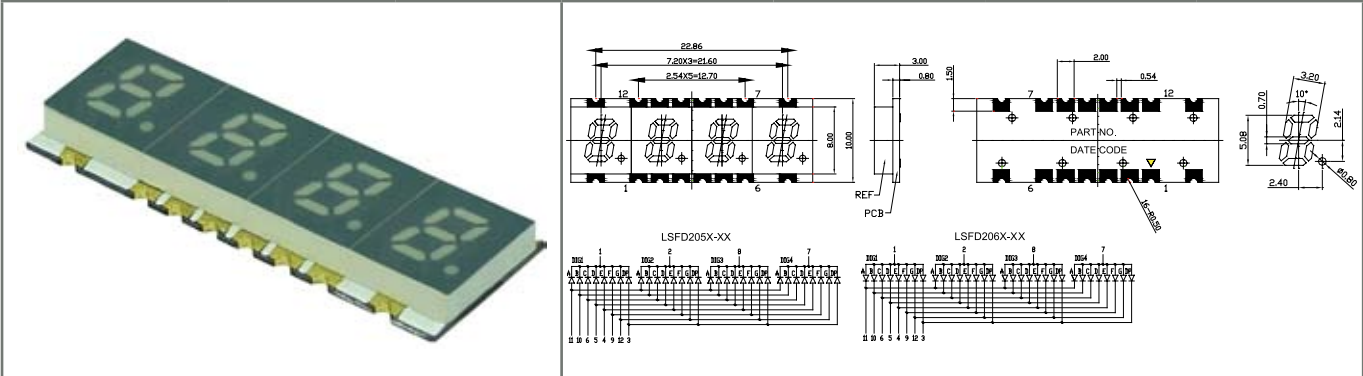


Part No	Chip			Vf(V)@20mA	Iv(mcd)@20mA	CC or CA
	Material	Emitted color	λD(nm)	Typ	Typ	
LSTD515A-XX	AlGaInP	Green	570	2.1	10	CC
LSTD516A-XX						CA
LSTD5156F-XX	AlGaInP	Red	625	2.0	25	CC
LSTD5166F-XX						CA
LSTD5153V-XX	AlGaInP	Yellow	590	2.0	25	CC
LSTD5163V-XX						CA
LSTD515DGM-XX	InGaN	True Green	525	3.2	90	CC
LSTD516DGM-XX						CA
LSTD515DBK-XX	InGaN	Blue	470	3.2	30	CC
LSTD516DBK-XX						CA
LSTD515WK-XX	InGaN	White	-	3.2	65	CC
LSTD516WK-XX						CA

SMD DISPLAY

QUADRUPLE SMD DISPLAY

0.2"

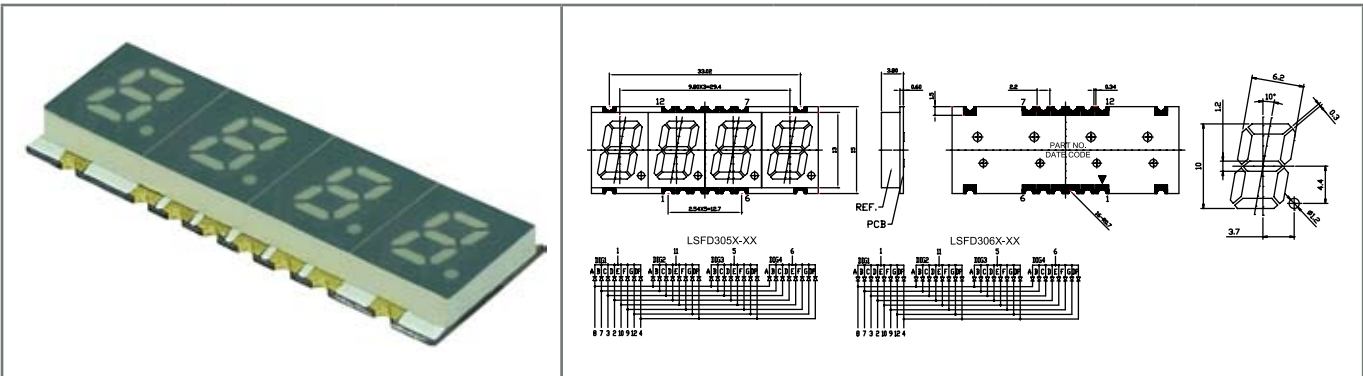


Part No	Chip			Vf(V)@20mA	lv(mcd)@20mA	CC or CA
	Material	Emitted color	λD(nm)	Typ	Typ	
LSFD205A-XX	AlGaInP	Green	570	2.1	6	CC
LSFD206A-XX						CA
LSFD2056F-XX	AlGaInP	Red	625	2.0	12	CC
LSFD2066F-XX						CA
LSFD2053V-XX	AlGaInP	Yellow	590	2.0	12	CC
LSFD2063V-XX						CA
LSFD205DGM-XX	InGaN	True Green	525	3.2	50	CC
LSFD206DGM-XX						CA
LSFD205DBK-XX	InGaN	Blue	470	3.2	20	CC
LSFD206DBK-XX						CA

QUADRUPLE SMD DISPLAY

0.28"

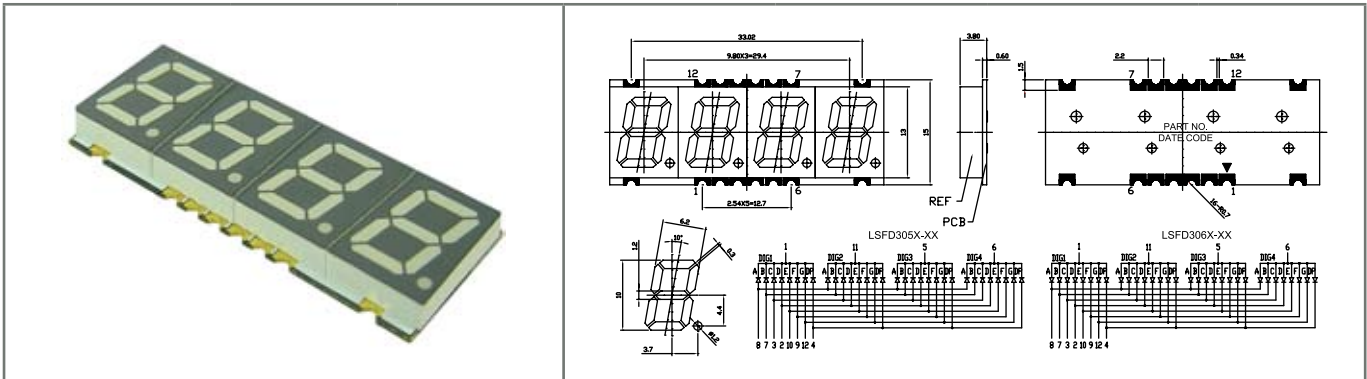
SMD DISPLAY



Part No	Chip			Vf(V)@20mA	lv(mcd)@20mA	CC or CA
	Material	Emitted color	λD(nm)	Typ	Typ	
LSFD215A-XX	AlGaInP	Green	570	2.1	6	CC
LSFD216A-XX						CA
LSFD2156F-XX	AlGaInP	Red	625	2.0	10	CC
LSFD2166F-XX						CA
LSFD2153V-XX	AlGaInP	Yellow	590	2.0	10	CC
LSFD2163V-XX						CA
LSFD215DGM-XX	InGaN	True Green	525	3.2	50	CC
LSFD216DGM-XX						CA
LSFD215DBK-XX	InGaN	Blue	470	3.2	20	CC
LSFD216DBK-XX						CA

QUADRUPLE SMD DISPLAY

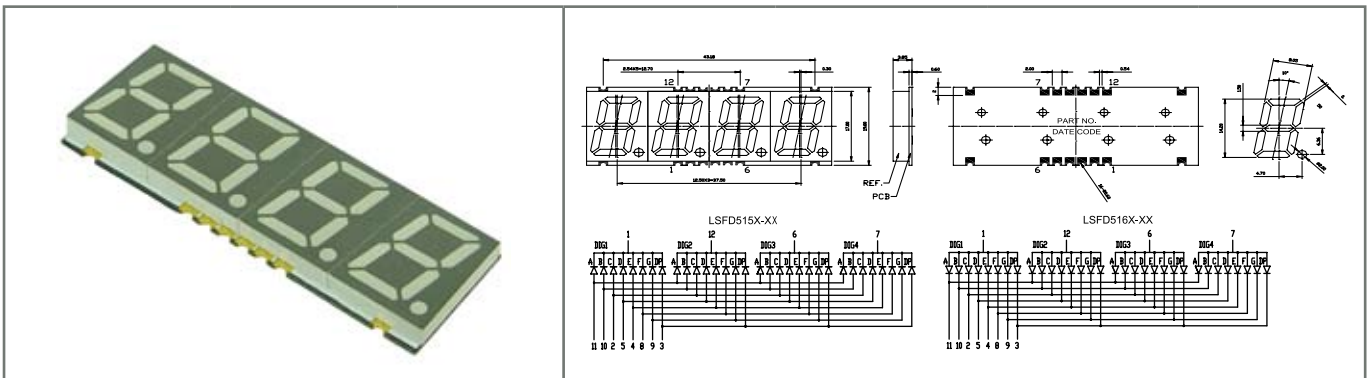
0.39"



Part No	Chip			Vf(V)@20mA	Iv(mcd)@20mA	CC or CA
	Material	Emitted color	λD(nm)	Typ	Typ	
LSFD305A-XX	AlGaInP	Green	570	2.1	12	CC
LSFD306A-XX						CA
LSFD3056F-XX	AlGaInP	Red	625	2.0	30	CC
LSFD3066F-XX						CA
LSFD3053V-XX	AlGaInP	Yellow	590	2.0	30	CC
LSFD3063V-XX						CA
LSFD305DGM-XX	InGaN	True Green	525	3.2	130	CC
LSFD306DGM-XX						CA
LSFD305DBK-XX	InGaN	Blue	470	3.2	40	CC
LSFD306DBK-XX						CA
LSFD305WK-XX	InGaN	White	-	3.2	100	CC
LSFD306WK-XX						CA

QUADRUPLE SMD DISPLAY

0.56"



Part No	Chip			Vf(V)@20mA	Iv(mcd)@20mA	CC or CA
	Material	Emitted color	λD(nm)	Typ	Typ	
LSFD515A-XX	AlGaInP	Green	570	2.1	10	CC
LSFD516A-XX						CA
LSFD5156F-XX	AlGaInP	Red	625	2.0	25	CC
LSFD5166F-XX						CA
LSFD5153V-XX	AlGaInP	Yellow	590	2.0	25	CC
LSFD5163V-XX						CA
LSFD515DGM-XX	InGaN	True Green	525	3.2	90	CC
LSFD516DGM-XX						CA
LSFD515DBK-XX	InGaN	Blue	470	3.2	30	CC
LSFD516DBK-XX						CA
LSFD515WK-XX	InGaN	White	-	3.2	65	CC
LSFD516WK-XX						CA

SMD DISPLAY